

Interloc Trinity Overview

interloc[®]
LOCKERS AND PARTITIONS

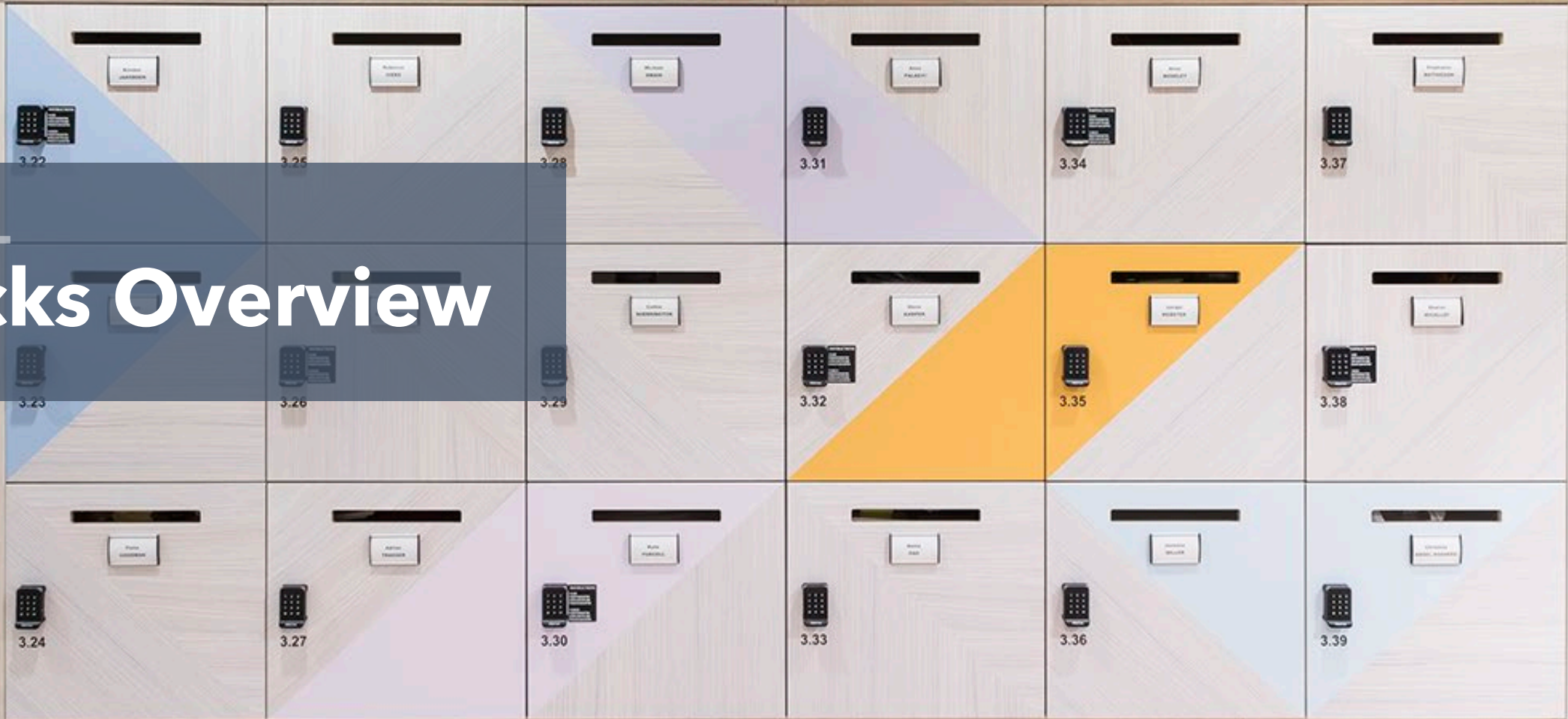


interloc *Trinity*

AGENDA

- 01 Introduction
- 02 Overview & Operation Modes
- 03 Installation and Maintenance
- 04 Lock Administration
- 05 Offline, Hybrid & Online Mode

Locks Overview





IL200 / IL250

Dynamic LED touchscreen
Water resident (IP55)
Bluetooth
RFID
WIFI



IL300

Robust keypad design
Water resident (IP55)
Bluetooth
RFID
WIFI



IL600

Dynamic LED touchscreen
Water resident (IP55)
Zinc alloy housing
Bluetooth
RFID
WIFI

interLoc *Trinity*

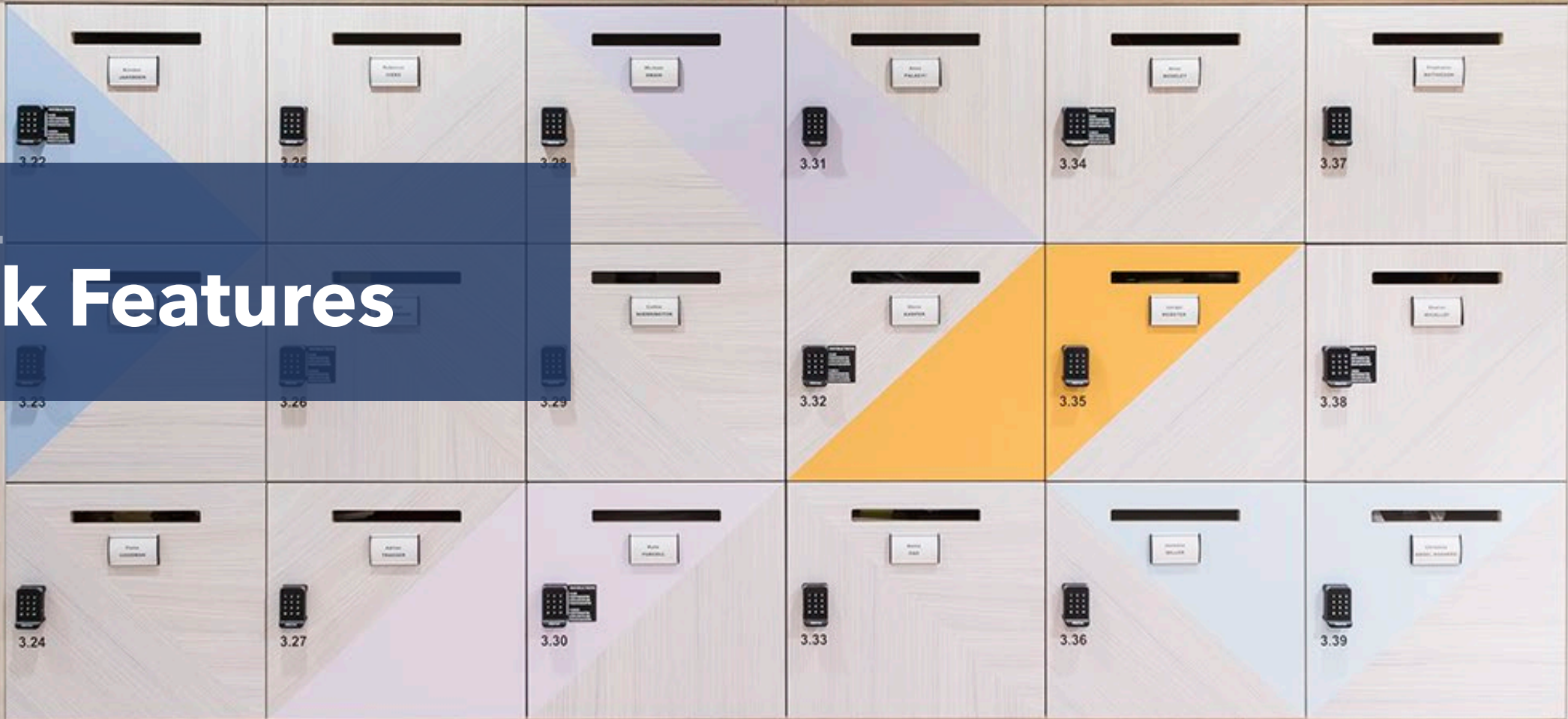
Top 5 Features



5

interLoc *Trinity*

Lock Features



KEY FEATURES



Trinity IL200 / IL250



Trinity IL300



Trinity IL600

Pin Access	✓	✓	✓
RFID Access	✓	✓	✓
Bluetooth Mobile App	✓	✓	✓
WIFI Lock Management	✓	✓	✓
Touchscreen LED	✓	✗	✓
Lock Management	✓ RFID, App, Wifi Console	✓ RFID, App, Wifi Console	✓ RFID, App, Wifi Console
Lock face case	Polycarbonate	Polycarbonate	Zinc Alloy
Real-time Monitoring	✓	✓	✓
Time based open functions	✓	✓	✓
Emergency Lock Power-up	✓	✓	✓
Multi-User/Multi-Locker	✓	✓	✓
Toggle Operational Mode (Keypad only, RFID Only, etc)	✓	✓	✓
Battery Life	✓ Min. 24 months (based on 10 actuations per day)	✓ Min. 24 months (based on 10 actuations per day)	✓ Min. 24 months (based on 10 actuations per day)

Operating Modes

- Operated by 13.56MHz RFID, Touchscreen keypad or mobile application (via Bluetooth)
- FREE Mode and ASSIGNED Mode
- Mode Different operational modes:-
 1. Keypad only
 2. RFID only
 3. Keypad and RFID
 4. Keypad and App
 5. RFID and App
 6. Keypad, RFID and App



Free Mode

- Pin or RFID: Any user can use the lock
- No set allocation
- Pin or swipe to open, and swipe and pin to close

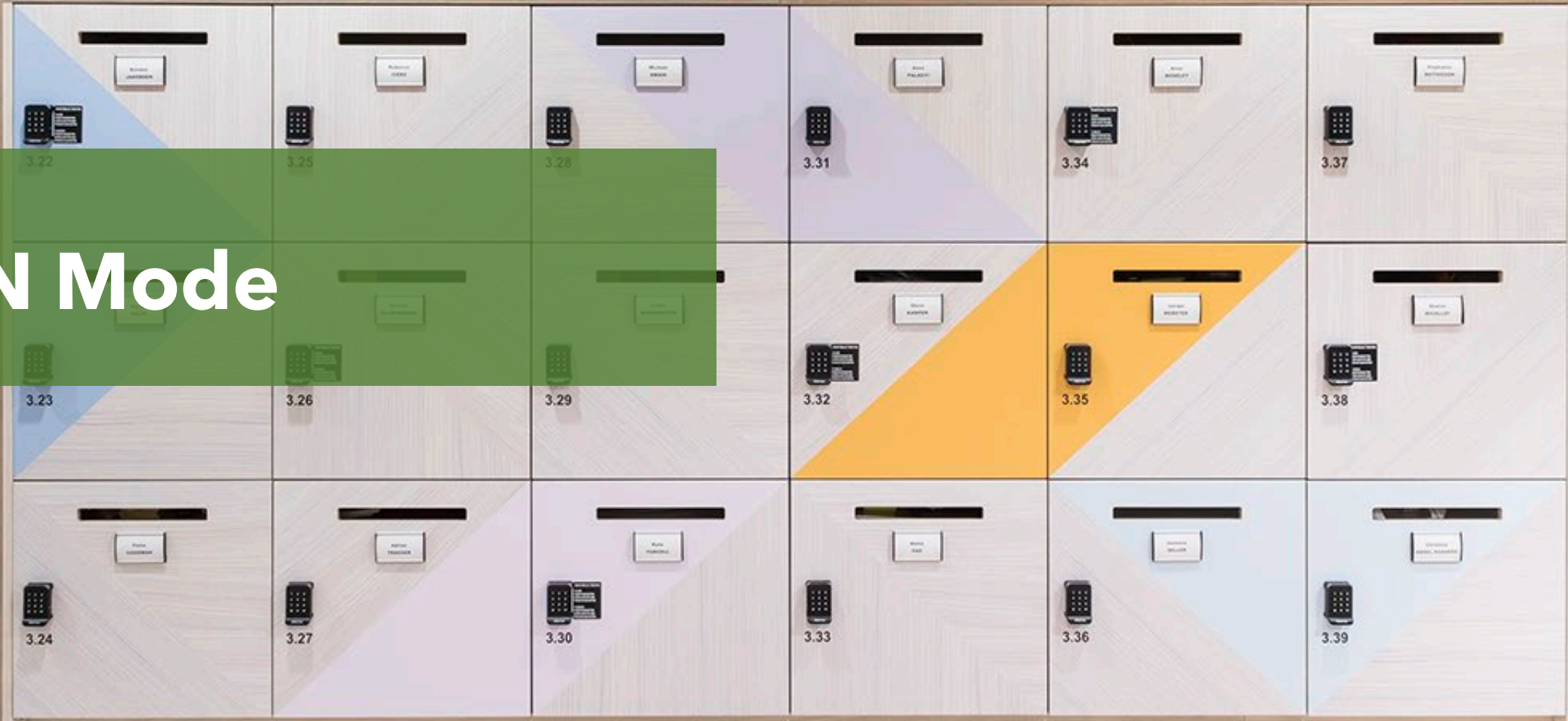
Assign Mode

- Pin or RFID: Assigned by administrator or toggled by user
- Can use Bluetooth app
- Permanent locker





CSN Mode



CSN Mode



What is CSN?

- CSN stands for Card Serial Number
- All RFID cards have a unique identifier which is a CSN

How does CSN Mode work with our Trinity Range?

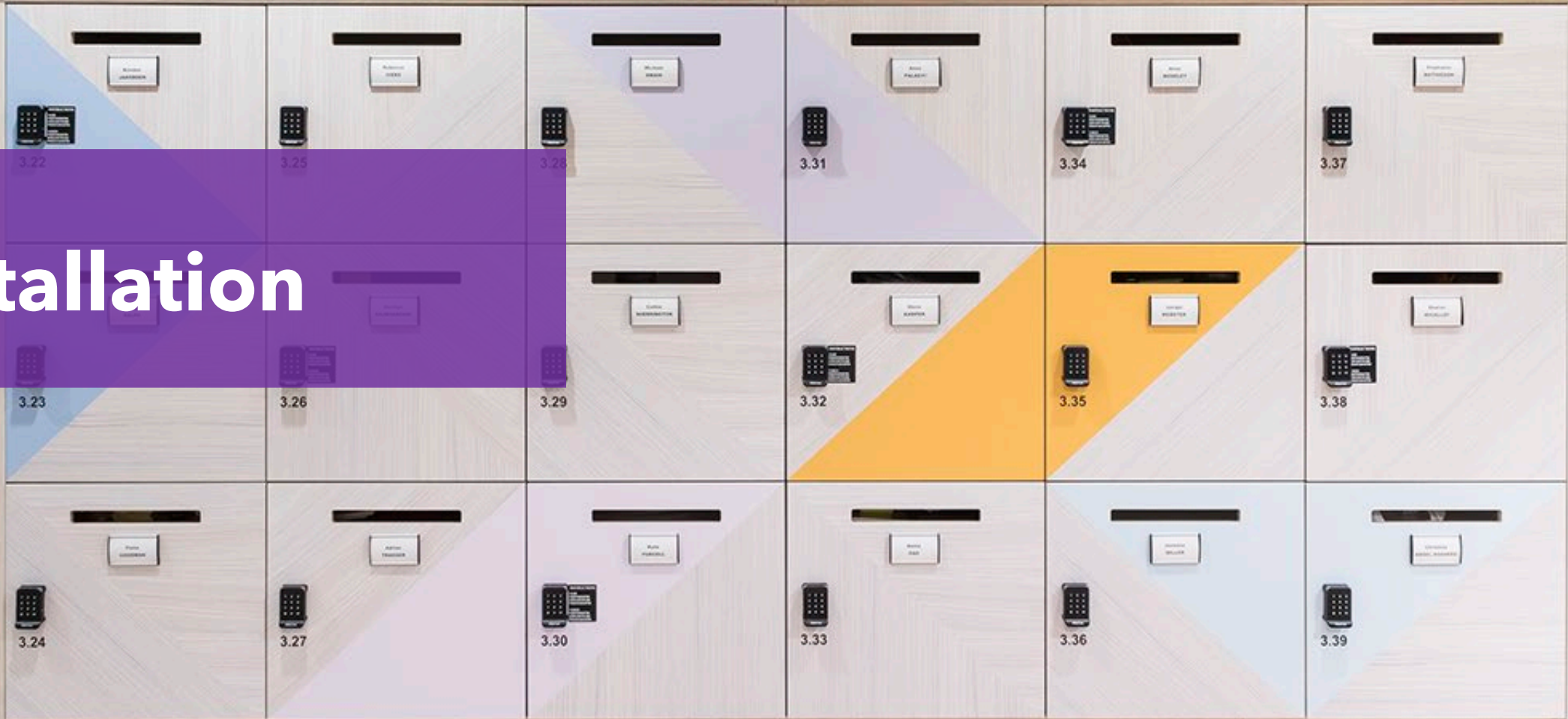
- No data written to the user's card (read only)
- Lock reads CSN and saves this information in its memory

NOTE: One user can have many lockers

What cards do our Trinity Range support for CSN Mode?

Mifare, Desfire, Ultralight, All cards with ISO 14443 (Type A Card), HID iClass (optional)

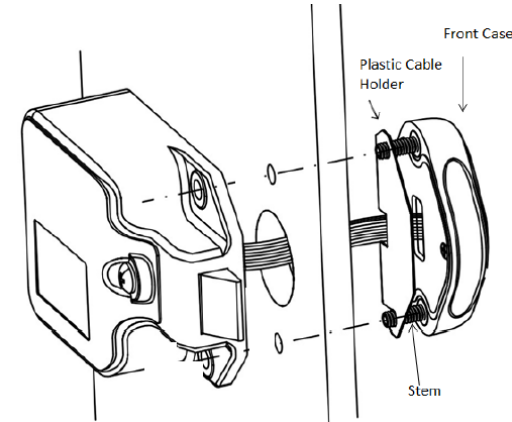
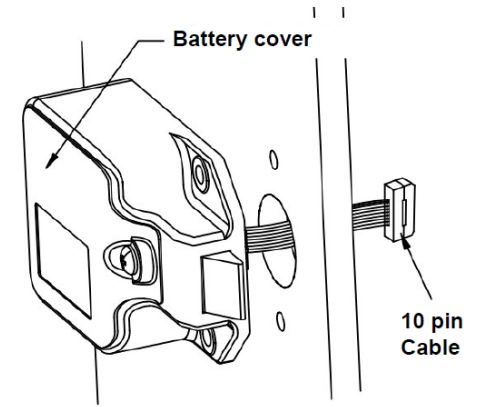
Installation



Installation & Lock Mounting

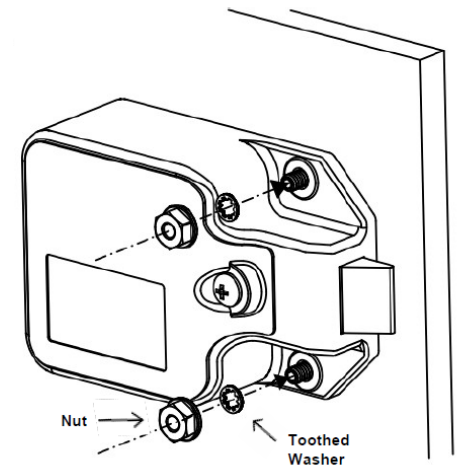
The Interloc Trinity Range IL200, IL250, IL300 and IL600 are all installed identically.

1

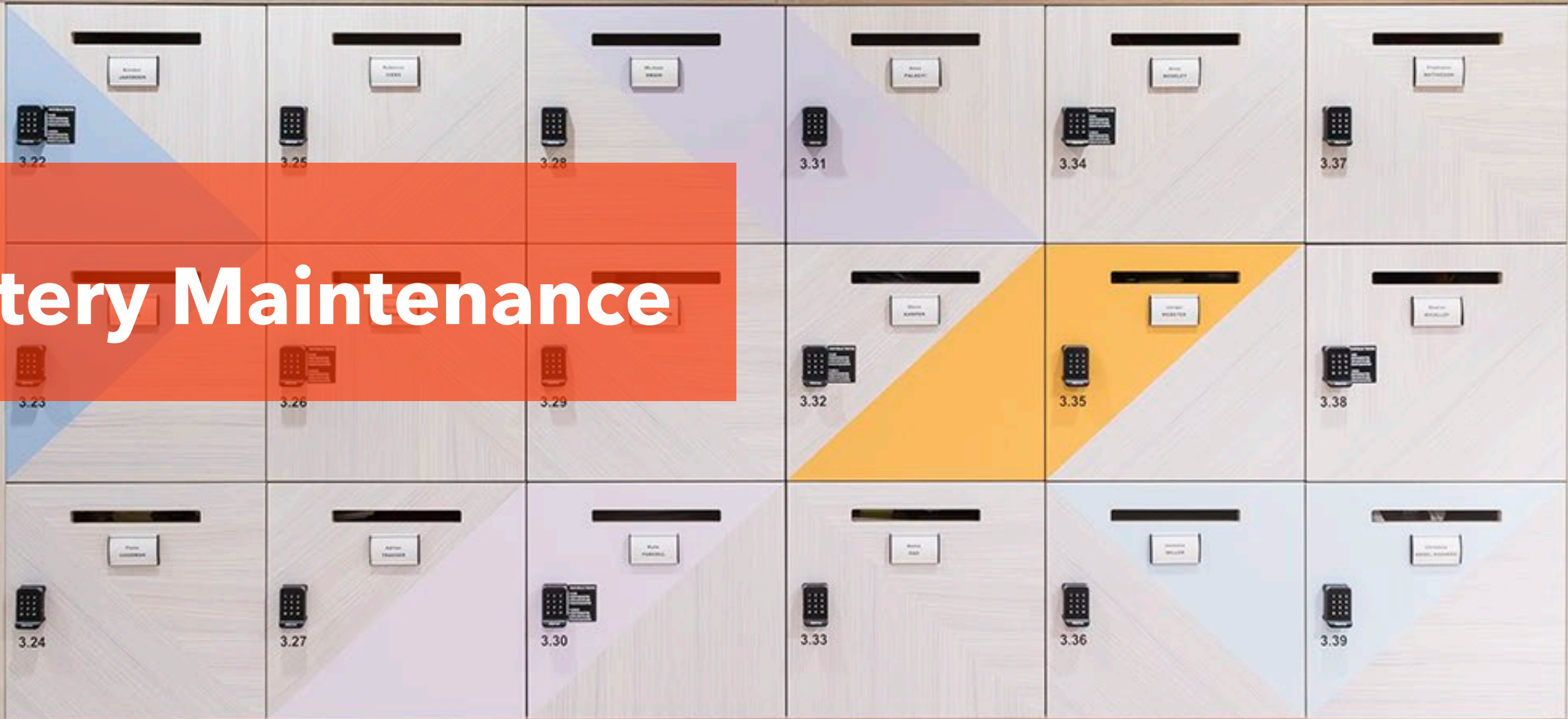


2

3



Battery Maintenance



Batteries & Covers

Interloc Trinity Range (IL200, IL250, IL300 and IL600) uses 4 x 1.5V AA alkaline batteries (6V).

To change batteries, we access the rear/back of the lock

1. Using a Phillips head screwdriver, remove the battery cover screw
2. Once battery cover has been removed, insert 4 x 1.5V AA alkaline batteries
3. Once new batteries have been inserted, attach battery cover

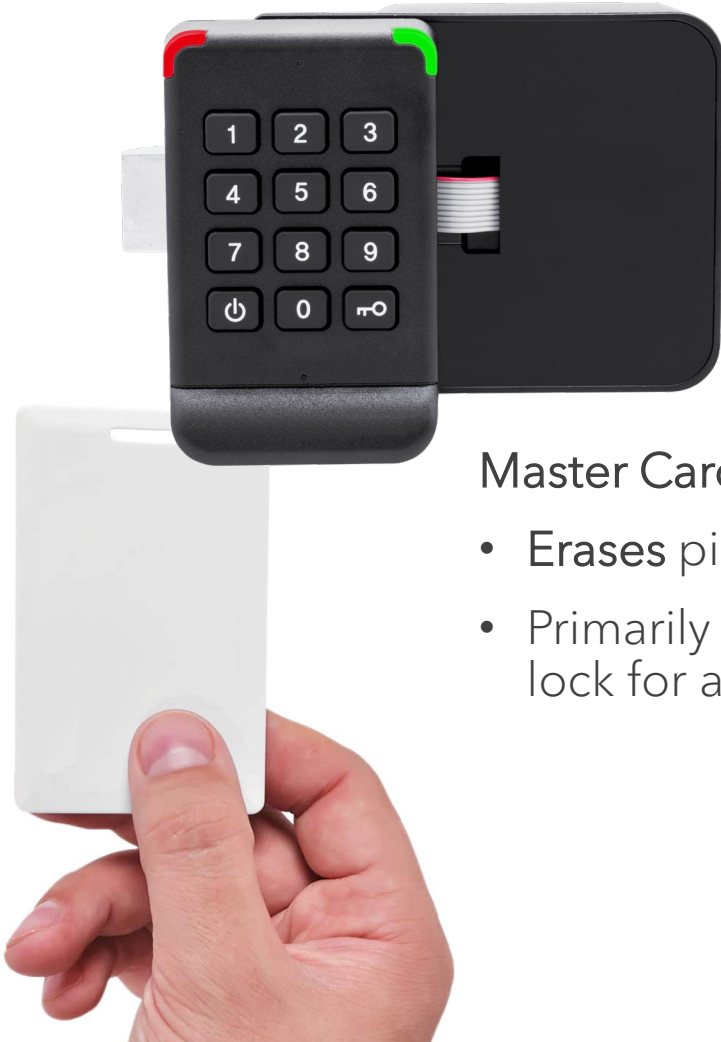


Administration



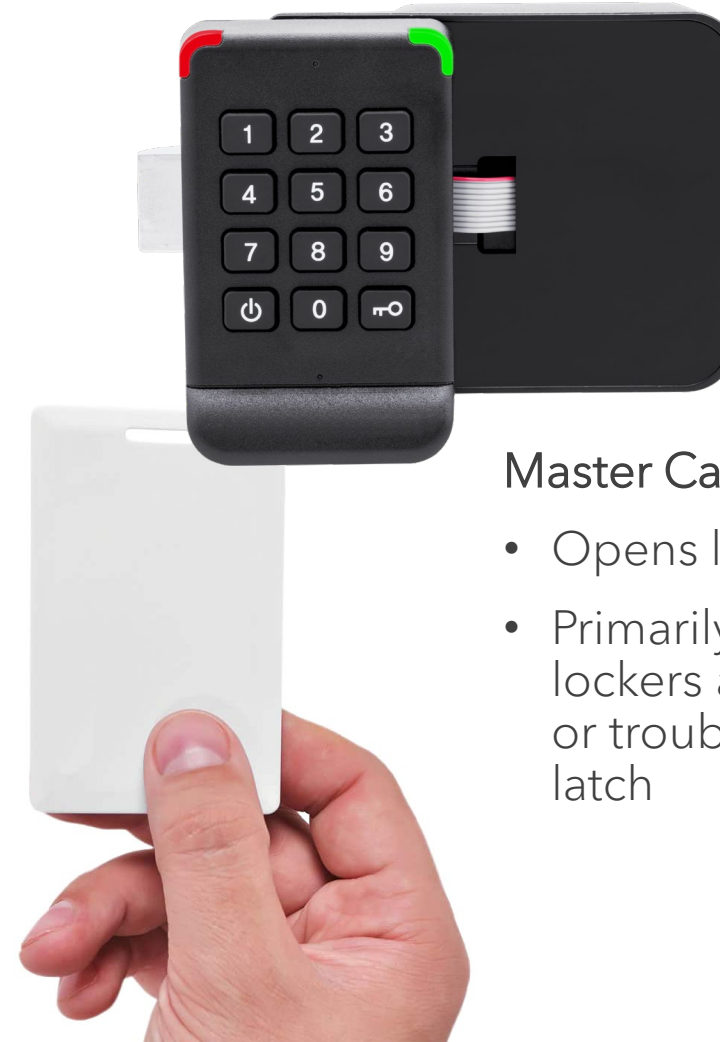
Master Cards

Administration / Troubleshooting of locks



Master Card 1

- Erases pin, opens latch
- Primarily used to reset lock for any user to use



Master Card 2

- Opens latch and **retains** pin
- Primarily used to open lockers and view contents, or troubleshoot a jammed latch

Lights and Sounds



Each Trinity lock has LED's located at different areas. Most LED notifications are the same throughout the range.

Beep	LED	Description
1 x Short Beep	1 x Green	Successfully Operation
3 x Short Beep	3 x Red	Operation Error
3 x Short Beep	1 x Green & Red	User Card Expired
5 x Short Beep	5 x Red & Green	Low Battery
Do-Re for 1.5 Sec	4 x Red & Green	Forced entry. Latch moved without proper authentication
3 x Do-Re	-	Latch failed to open
Do-Mi-Sol-Pa Melody	1 x Green	Correct Pin Code entered or Pin Code Successfully Changed
5 x Do-Re-Mi	6 x Red & Green	Time Function Activated



Did you know

When using Master Card 2, red light stays flashing.



Offline, Hybrid & Online

Offline, Hybrid & Online Mode

All the Interloc Trinity Range (IL200, IL250, IL300 and IL600) can operate in Offline, Hybrid or Online Mode

1. **Offline** (no management software) – typically used for keypad or CSN mode
2. **Hybrid** (including software **client** management software) – used when RFID card management is required
3. **Online** (including **server & client** management software) – used when real-time monitoring and remote administration is required. Wi-Fi enabled

- Locks (Wi-Fi disabled)
- Keypad or CSN

- Locks (Wi-Fi disabled)
- Client software
- Card reader

**(only if needing card management with RFID)*

- Locks (Wi-Fi enabled)
- Access Points
- Server Software / Client Software
- Card reader

OFFLINE

HYBRID

ONLINE

Hybrid Mode



Client Software

LMS(Release:3.0.1.5)-R-20210819 11:25 STD(LOS)

Staff Account Issuer Account Building Account Group Account Locker Account Membership Card Issue(w/o DB) Membership Card Issue Maintenance Change Audit Trail Lock Info Member Import

USER CARD SETTING

Free Selection
Group: ALL Multi lock count for Free Selection: 1

Time limits(Set card validity from lock occupation)
Set lock to: lock up after: 1 hour

Assign Section

Building	Group	Lock
1	1	03 00

0101000300

Valid: 2010-01-01 00:00 to 2099-12-31 23:59 Unlimit

Continue Issue

CHECK USER CARD

Card Serial No.:
Card Type: Multi lock count:
Lock ID:

Valid Date/Time
Valid from:
to:
Time limit: After

Last access locker
Lock ID: Battery status: **Normal**

Card Holder Info.
ID: Name:

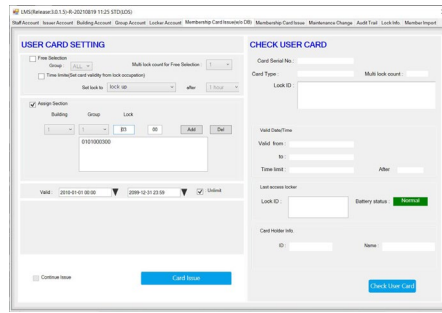
Client Software

- Frontend software for clients
- User card settings and allocation
- Card monitoring / status
- Integrated with RFID card reader (USB connection)

Hybrid Mode (RFID)

System Design

- Client Software
- Locks with RFID
- Card reader



LOCK MANAGEMENT SOFTWARE



CLIENT PC

RFID Cards
(access to locks)



Cards programmed to access locks

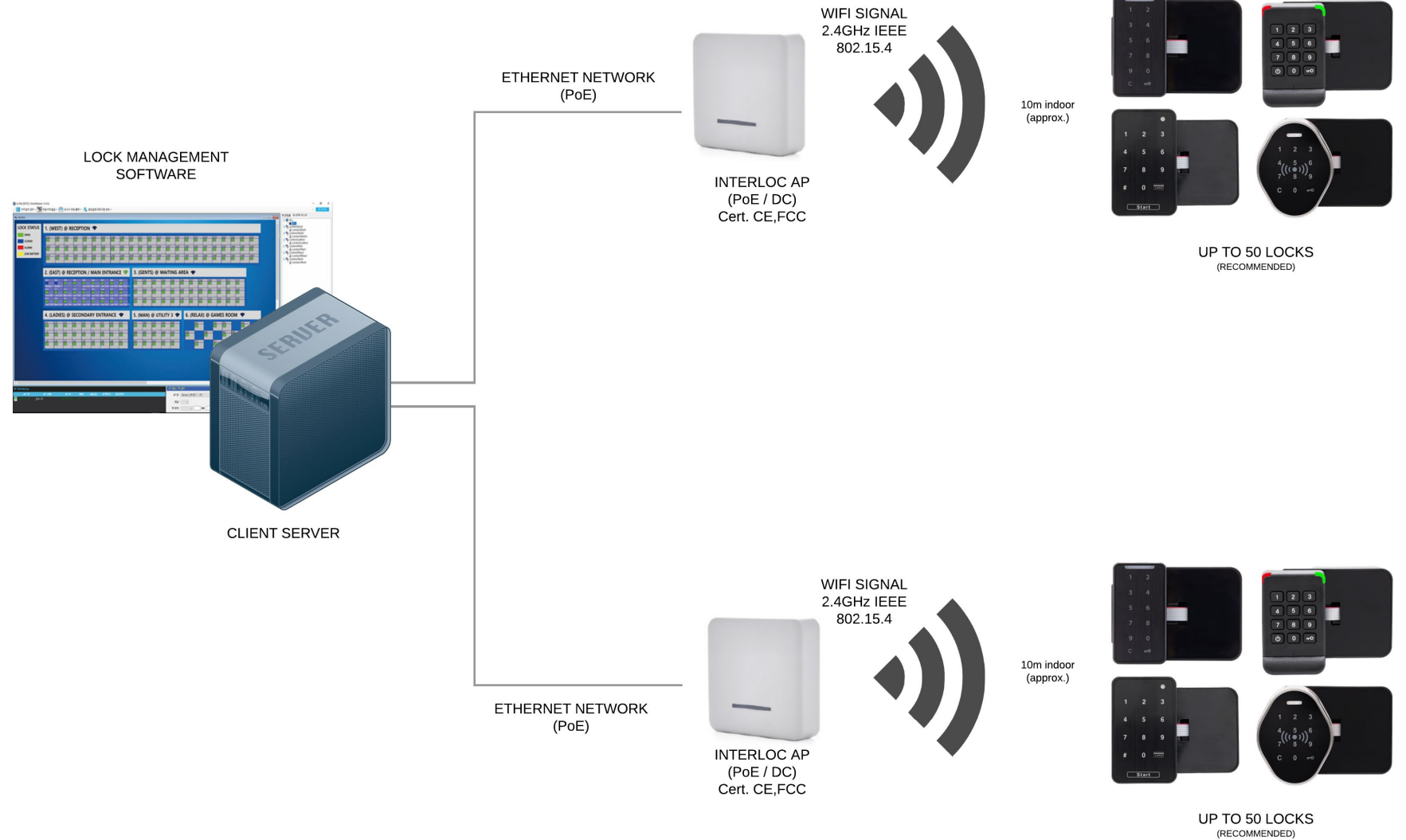
USB Card Reader



Online Mode

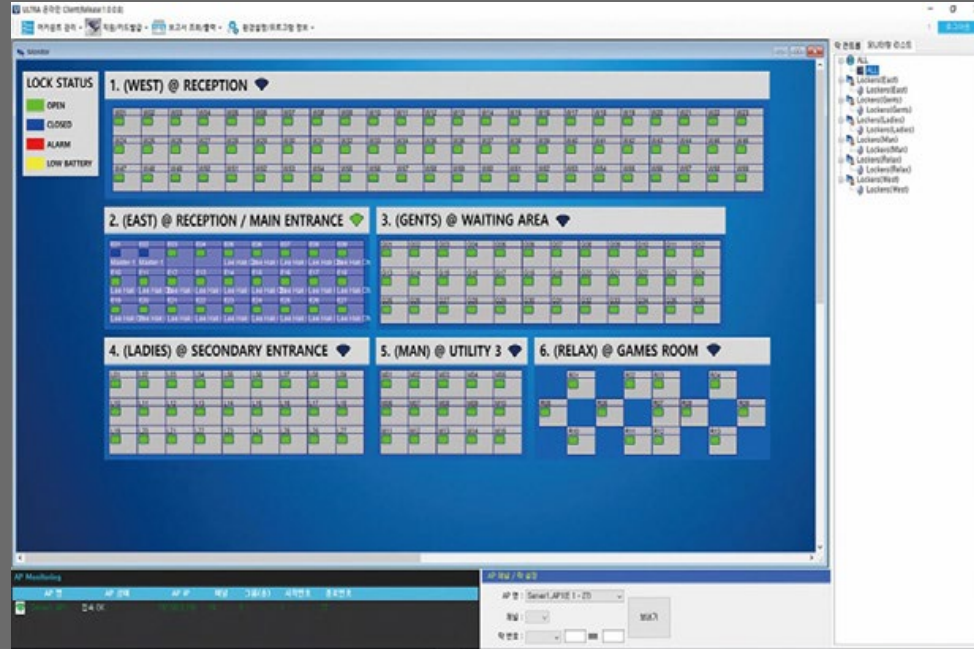
System Design

- Access Points
- Server Software / Client Software
- Locks with wifi
- Card reader



Online Mode

Client & Server Software



Server Software

- Backend software (non-client facing)
- Installed and left running on a server 24/7
- Collects events and logs
- Works as the 'middle person' - pushing commands to locks and receiving lock information. All done via the AP

Client Software

- Frontend software (client uses this)
- Shows real-time status of locks
- Allows lock management and maintenance
- Card Allocation
- Remote control with commands (e.g. remote open)
- Reporting

Online Mode

Client Software

The screenshot displays the E-Smart Ultra+ w/ Smart Code (Online Client) software interface. The main window shows a grid of lock status for 'Female Dining Lockers' with 36 individual lock slots (5 04-1 to 5 04-36). A 'Lock Control' panel on the right shows a summary for lock 5:4F-1, which is 'Free' with 40 available and 0 occupied. Below this is a 'Control Board' with an expander and various control options like Range, Option, and Lock.

Item	Value
Lock No.	5 4F-1
Lock Status	Available
Valid Date	2000/01/01 00:00:00 ~ 2099/12/31 23:59:59
Last Used Card	046311FADD3680
Member Name	
Latch Status	Using a card(Free-mode open)
Battery Status	Battery OK

Control Board

Expander

Type: [Dropdown]

Range: Each All

Option: Open Close Emergency Cancel

Lock: Female Dining [0001]

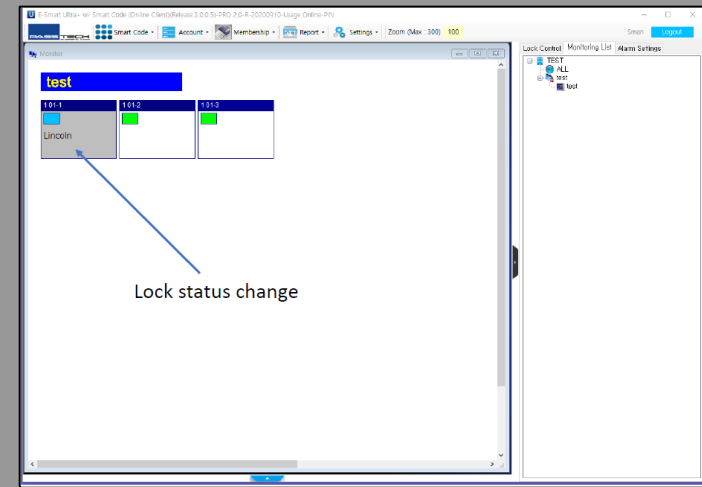
- Grid style monitoring of locks in one screen
- View status and send commands for multiple locks at once

Online Mode

1. Select the lock to view status of or to send command to
2. View the status of the lock
3. Select command to send to lock

Command will activate when lock is activated

1



2

Lock Control Monitoring List Alarm Settings

1:1F-011 Free

Total 30

Available 25

Occupied 5

Using a card(Free-mode open)

Item	Value
Lock No.	1 1F-011
Lock Status	Occupied
Valid Date	2010/01/01 00:00:00 ~ 2099/12/31 23:59:59
Last Used Card	5ECF51C0
Member Name	
Latch Status	Using a card(Free-mode open)
Battery Status	Battery OK

Default
Lock Open - Green
Lock Close - Blue

3

Control Board

Expander

Type: Open/Close (Each) (selected)

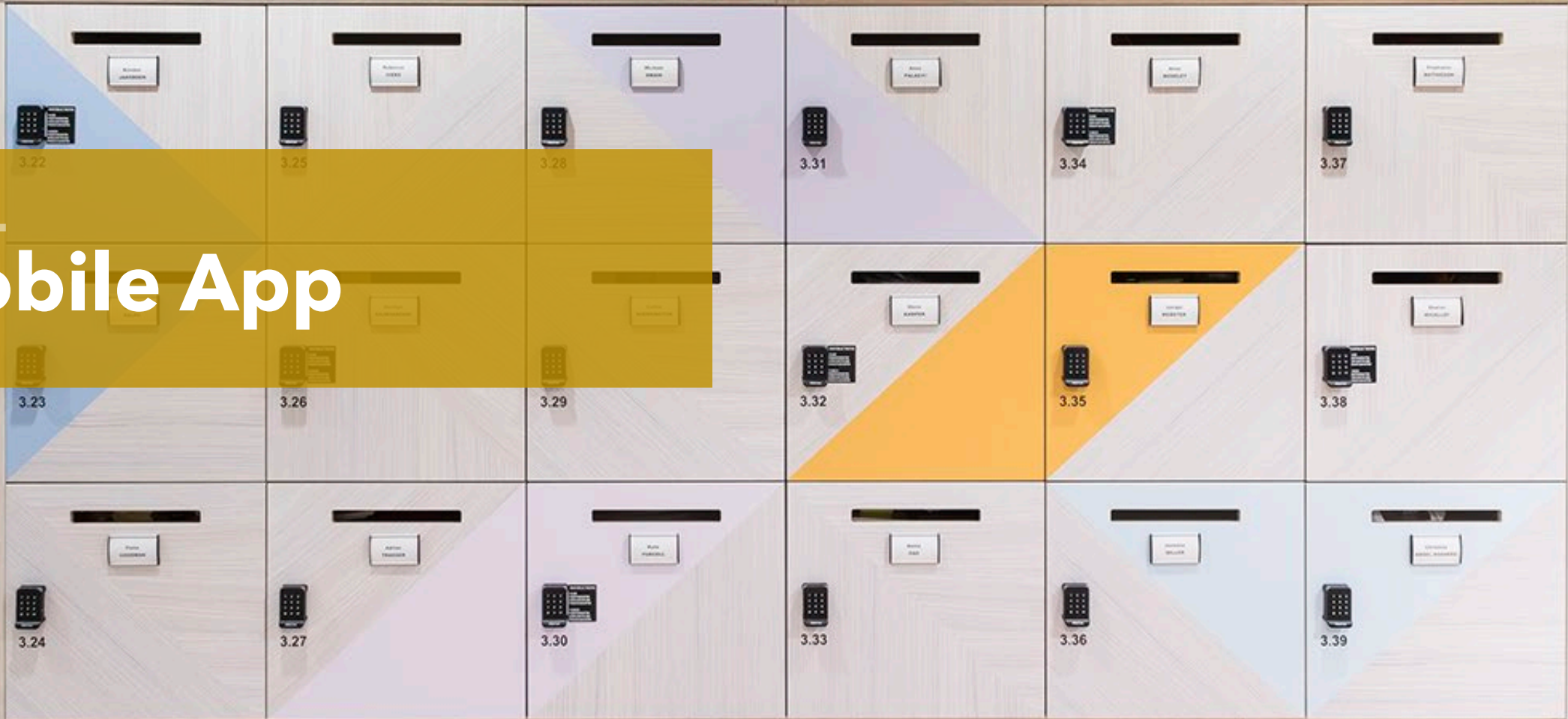
Range: Open/Close (Each) (selected)

Option: Clear User Info

Lock: Group 1 0001

Send Command Cancel All

Mobile App



Bluetooth App Overview

- Mobile Application (InterlocTrinity)
- Available on Apple and Android
- Pairs from phone to lock for open/close functions
- Free Mode or Assigned Mode
- View the lock history (e.g. usage)



Free Mode

- Easy and fast to setup
- Doesn't require an Administrator
- Quick access from lock to smart device
- Simple and secure concept

interLoc *Trinity*

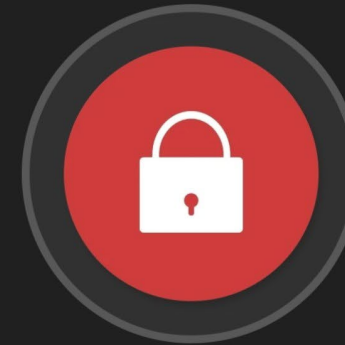


Free Mode

www.interloc-locks.com.au

Locker number

06-0001



HOME



ACCESS LOG



REGISTER



SETTING



HELP

Assigned Mode

- Quick to setup (more steps than free mode)
- Easy user registration
- No administrator required
- Best used for office environments

interLoc *Trinity*

Assigned Mode



Locker number

0003

www.interloc-lockers.com.au

10Jan

01

Fri

00:00

Your Valid Date

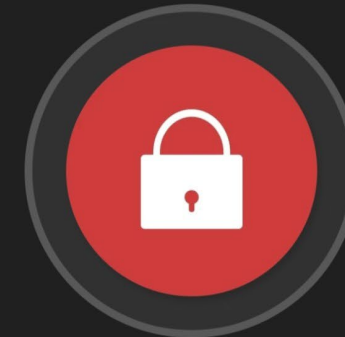


99Jan

31

Thu

23:59



HOME



ACCESS LOG



REGISTER



SETTING



HELP

Thank you. Questions?